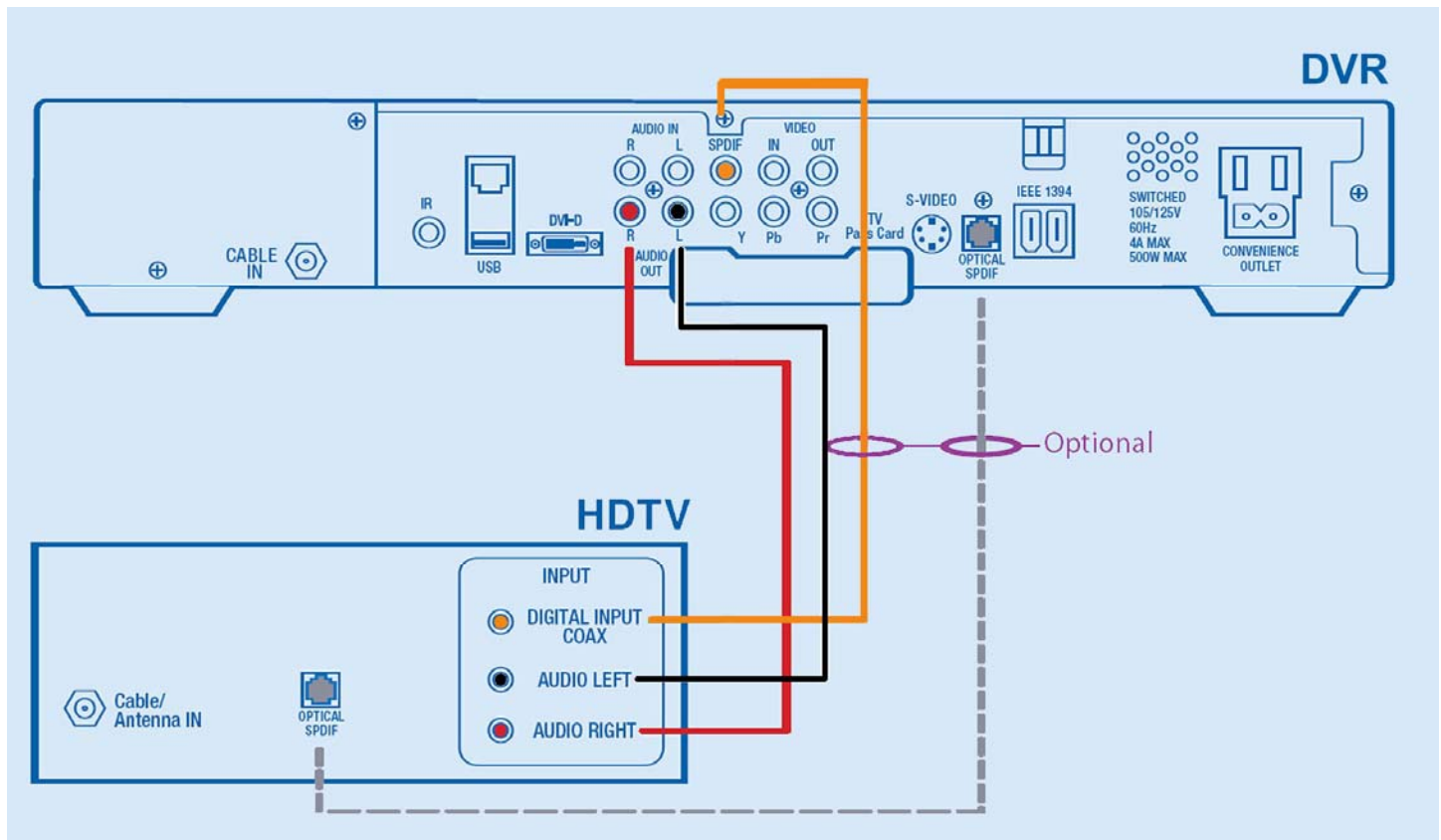


## DVR - HDTV audio



### Connecting audio to an HDTV (high-definition TV)

**Important:** Do not plug the DVR power cord into the wall outlet until you have completed all connections between the DVR and other equipment.

1. Connect the stereo audio cable to the AUDIO R and L connectors on the DVR and to the AUDIO R and L connectors on the HDTV.
2. If your equipment supports it, add either the optical (OPTICAL SPDIF) or the coaxial digital (SPDIF) cable connections.

In most cases these SPDIF outputs offer a higher level of audio quality for 5.1 surround sound systems.