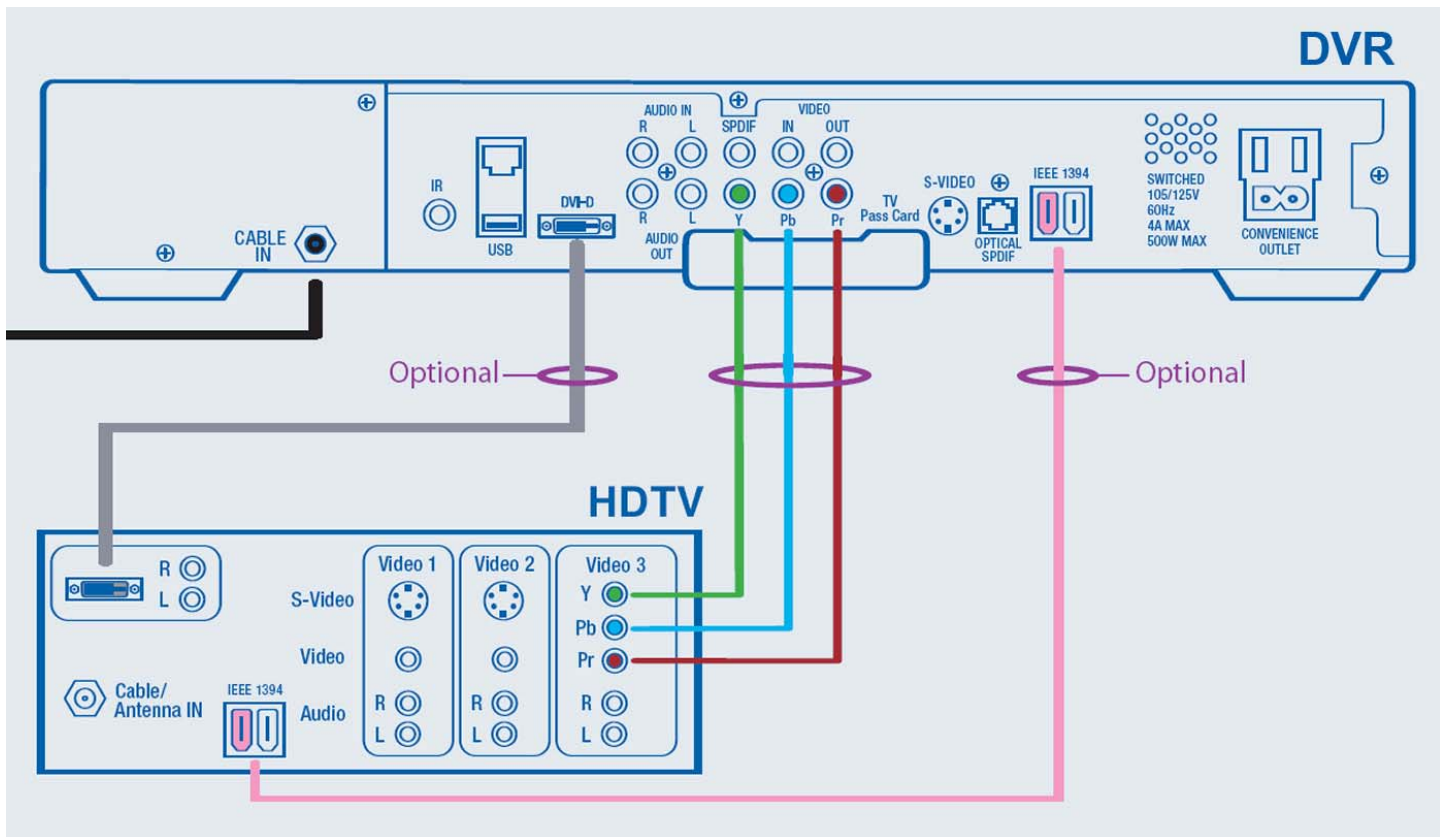


DVR - HDTV video



Choose one of the following three connections to connect video to an HDTV.

IMPORTANT: Do not plug the DVR power cord into the wall outlet until you have completed all connections between the DVR and other equipment.

1. Y, Pb, Pr – most popular connection

1. Connect an RF coaxial cable to the cable wall outlet and the CABLE IN connector on the DVR.
2. Connect the component video cables to the Y, Pb, and Pr connectors on your HDTV and DVR.

This connection supports only the high-definition video connection between the DVR and the HDTV. To connect the audio connections, review the HDTV audio connection diagrams on the Cox website.

2. Optional IEEE 1394 – delivers video and audio, but no graphics

If your HDTV has an IEEE 1394 connector, you can use the IEEE 1394 for both your video and audio connection:

1. Connect an RF coaxial cable to the cable wall outlet and the CABLE IN connector on the DVR.
2. Connect an IEEE 1394 cable to the IEEE 1394 connector on your HDTV and DVR.

Because on-screen graphics, such as the Interactive Program Guide, will not be displayed when you are using the IEEE 1394 connection, this option is not recommended for most customers.

3. Optional DVI – delivers full digital stream for the technical videophile; the DVI cable is more expensive

If your TV has a DVI input, use the DVI connection for your video:

1. Connect an RF coaxial cable to the cable wall outlet and the CABLE IN connector on the DVR.
2. Connect a DVI cable to the DVI-D OUT connector on the DVR and the DVI-HDTV connector on your TV.

This connection supports only the high-definition video connection between the DVR and the HDTV. To connect the audio connections, review the HDTV audio connection diagrams on the Cox website.