

Cox Home Security door locks combine the control you desire with the security you need. Follow these simple steps to get started. And don't forget, you can lock and unlock your door simply by using your Cox Home Security Mobile App or online Subscriber Portal.

My Codes

You may program up to 30 user codes, each 4 – 8 digits in length.

Code 1: _____ for: _____

Code 2: _____ for: _____

Code 3: _____ for: _____

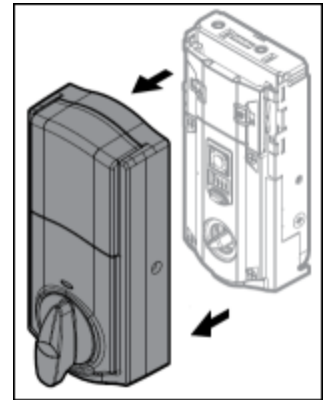


Figure 1. Removing the Cover

Adding User Codes

1. Remove the interior cover using the included hex key.
Note: The hex key is size 3/32. Visit your local hardware store for replacement if needed.
2. Press the **Program** button once.
3. Use the keypad to enter a new **User Code**.
4. Press the **Lock** button once.

Expected Result: If the keypad flashes green and beeps once, the programming was successful. Follow these same steps to create additional user codes.

Deleting a Single User Code

1. Remove the interior cover using the included hex key.
2. Press the **Program** button once.
3. Press the **Lock** button once.
4. Use the keypad to enter the desired **User Code** to be deleted.
5. Press the **Lock** button once.
6. Re-enter the **User Code**.
7. Press the **Lock** button once again.

Expected Result: If the keypad flashes green and beeps once, the programming was successful. Follow these same steps to delete additional user codes.

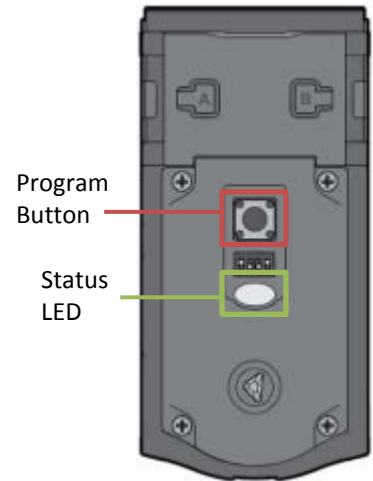


Figure 2. Interior Programming View

Locking the Door

1. Press the **Lock** Button.
Note: If no user codes are programmed, the Lock button will be disabled.

Unlocking the Door

1. Press the **Lock** button (optional, but necessary in order to illuminate the keypad).
2. Enter a valid **User Code**.
Note: If three incorrect codes are entered consecutively, or if three timeouts occur within one minute, the keypad will be locked for 60 seconds. After 60 seconds, you may try again.

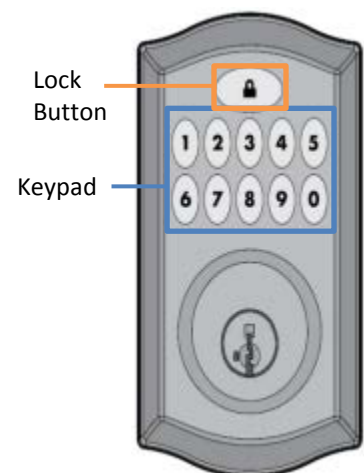


Figure 3. Front of Lock